



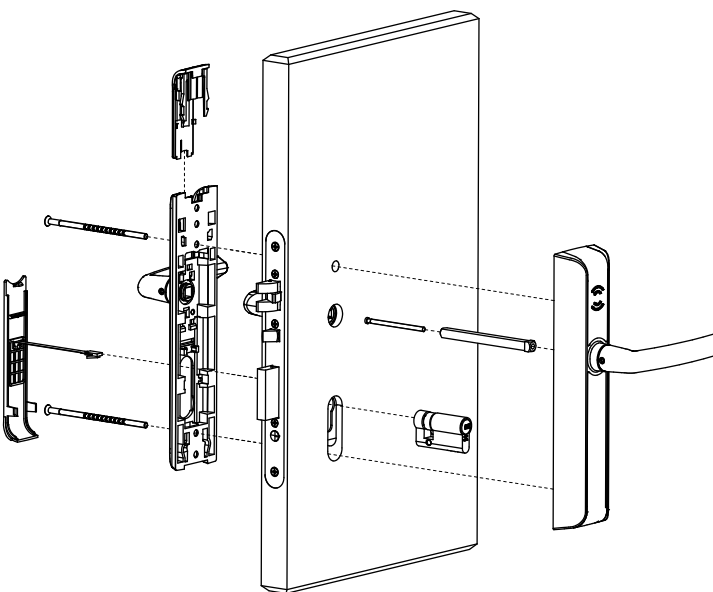
# CISA eSIGNO

## Contactless Lock

### Technical Sheet

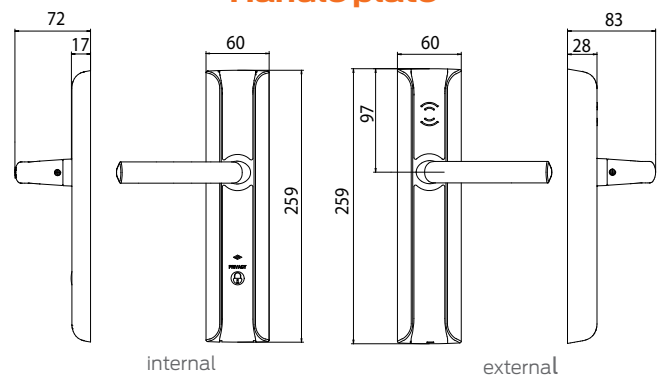


### Installation

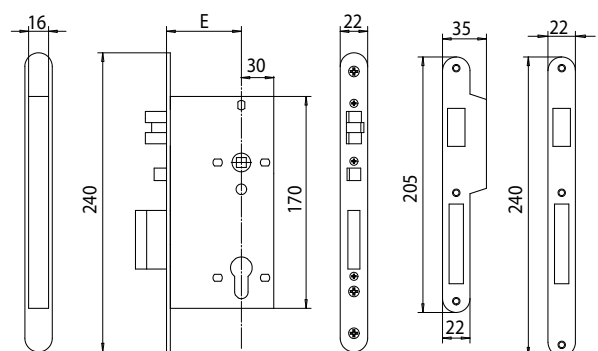


Technical drawings:  
all measurements are in mm.

### Handle plate



### 5A504, 5A514 lock series – Strike plate



## Technical features

<b>Intended use</b>	Standalone battery powered contactless electronic access control for door installation.
<b>Form factor</b>	Reader and battery holder integrated into the external plate. Only 2 screws needed for installation.
<b>Retrofit</b>	Footprint designed to simplify retrofit installation. Retrofit underplate also available (386x72 mm).
<b>Credentials</b>	Contactless RFD ISO 14443B/Mifare ISO 14443A, NFC ready. Lock wake-up function activated by card from max 2 cm.
<b>Operating temperature</b>	From -10°C to 70°C (with specific batteries).
<b>Data encryption</b>	3DES-AES encryption.
<b>Audit trail</b>	Previous 500 events.
<b>Privacy</b>	Digital privacy function activated by a push button located on the internal plate. Available with autodeadbolt mortise lock series 5A504, 5A514.
<b>Emergency override detection</b>	Mechanical emergency opening detection and tracking.
<b>Wireless</b>	System also available in wireless version (2.4 GHz Zigbee technology). Locks can communicate with the centralised control system through a wireless network. Easy to reprogramme/delete cards.
<b>Door ajar detection</b>	Door left open reported via the wireless connection.
<b>Flashing signal</b>	Multicolor LED on external plate for battery level, privacy status and service messages. Internal LED for privacy status.
<b>Battery</b>	3 x 1,5V AAA alkaline.
<b>Durability</b>	30.000 cycles approx for standalone version (depending on operating conditions).
<b>External plate</b>	L 259 x H 28 x W 60 mm
<b>Internal plate</b>	L 259 x H 18 x W 60 mm
<b>Weight</b>	Packed: 2 kg (including external and internal plates, handles, batteries).
<b>Material</b>	External/Internal plates in Zamak 3 (ZP3 in compliance with UN EN 12844).
<b>Plastic</b>	PA6 / PA12. Cover plate available in black or white version.
<b>Finishes</b>	Satin Silver / Polished Silver / Satin Gold / Polished Gold.
<b>Handles</b>	Classic / Modern Return to door / Elegance
<b>Spindle size</b>	8 mm
<b>Center</b>	85 mm if 5A504/5A514 lock is used.
<b>Mechanical emergency cylinder</b>	Euro Profile half cylinder concealed under plastic cover. Accessible using tool supplied with the Service Kit.
<b>Standard mechanical lock</b>	Autodeadbolt mortise lock series 5A504, 5A514 with antipanic function and DPR (Door Position Report). Backset 60 – 70 – 80 – 90.
<b>Door thickness</b>	35 - 79 mm
<b>Application</b>	Indoor
<b>Life cycle</b>	200.000 cycles.
<b>Installation</b>	Compatible with electric screwdrivers i.e. high torque.
<b>Norms and regulations</b>	Compatible with products in compliance with standard EN1634-1 (for fire resistant doors up to 60 minutes), EN179, EN12209, UL (European standards).
<b>Management system</b>	Wave Mode encoder, communication with locks through NFC mouse or service cards. UNIKA web application with USB encoder, communication with locks through service cards.

### About Allegion

Allegion (NYSE\_ALLE) creates peace of mind by pioneering safety and security. As a \$2 billion provider of security solutions for homes and businesses, Allegion employs more than 8,000 and sells products in more than 120 countries across the world. Allegion comprises 27 global brands, including strategic brand CISA®, Interflex® LCN®, Schlage® and Von Duprin®.

For more, visit [allegion.com](https://allegion.com)

 BRICARD ■  Briton ■  CISA ■  interflex

Allegion (UK) Ltd  
Bescot Crescent  
Walsall, WS1 4DL  
Tel. +44 (0) 1922 707400  
[allegion.co.uk/hotellocks](https://allegion.co.uk/hotellocks)  
[cisahotels.com](https://allegion.co.uk/cisahotels.com)

@cisalocks

